



www.groupeserap.com

FIRST.SV Silo milk cooler

Capacities
from 10,000 to 40,000 litres

Silo milk cooler with direct expansion

(Conceived for an outdoor
installation)

Modele represented :
First 30000.SV

Tank :

With double envelope, vertical cylindrical shape, self-supporting structure. Sandwich structure with high density CFC-free insulation and austenitic AISI 304 stainless steel walls. Laser welded full flow evaporators. Rest on the ground on stainless steel skirt or adjustable feet.

Equipments :

Dome:

Eccentric pendular agitator, low speed, Stainless steel vent with anti-insect grid and rain-proof cover, handling rings, Sight hole Ø 220.

Canopy interface:

Hermetically-sealed door 307x442 mm with opening safety, Sample tap with washable membrane, Integrated automatic washing. Butterfly valve Ø 76 with racking cavity (on bottom).

Agitation and homogenisation

Of eccentric pendular type, with low speed reduction gear motor (24 rpm) and anti drain cover. Programmable automatic cyclic agitation. Homogenisation of the milk fat in 2 minutes.

Cooling equipment :

Cooling unit with the hermetic type compressor, power adapted to the requested performances with starting index-linked on the milk level. SCROLL cooling unit with low electrical consumption

Cooling regulation(s) with thermostatic pressure valve and pump down. Safety cooling switch.

Each model can be installed:

- with separate cooling unit(s),
 - without cooling unit(s),
- Refrigerant R 22 or R 404A.

Electric equipment :

RL20 control with microprocessor see product sheet ref: WP-1K-A08
power box fixed on the cooling unit support
Standard power supply: 400V / 3ph + N / 50Hz.



Washing system Wash 2020 :

Integrated automatic washing see product sheet ref: WP-1K-A08

Options :

Indicative display of the milk volume:

- external translucent pipe inserted in a stainless steel rod graduated in mm on the full height of the tank, and washed by WASH 2020.
- FIRST LEVEL digital dipstick from 10000 till 30000 L.

Tank piping:

- Outlet valve threading on request,
- Threaded reducer Ø 76 to Ø 51,
- Non return valve Ø 38 stainless steel on milk inlet,
- Quick coupling outlet washing system,
- Outlet valve position detection (O or C).

Tank accessories:

- crinoline ladder for dome access and level reading.

Cooling assembly:

- Compressor protection thermal relay,
- Pre-equipment for heat recovery system,
- SERATEMP heat recovery system.

Wash2020 CIP:

- Disinfection on automatic washing (additional chemical pump),
- washing water sorting.

Electric connection:

- Supply cable 5 meters,
- Base + supply plug,
- Milking robot adaptation.

Standards :

In accordance with the ISO 5708 International Norm and European EN13732 standard with associated pre-cooling.



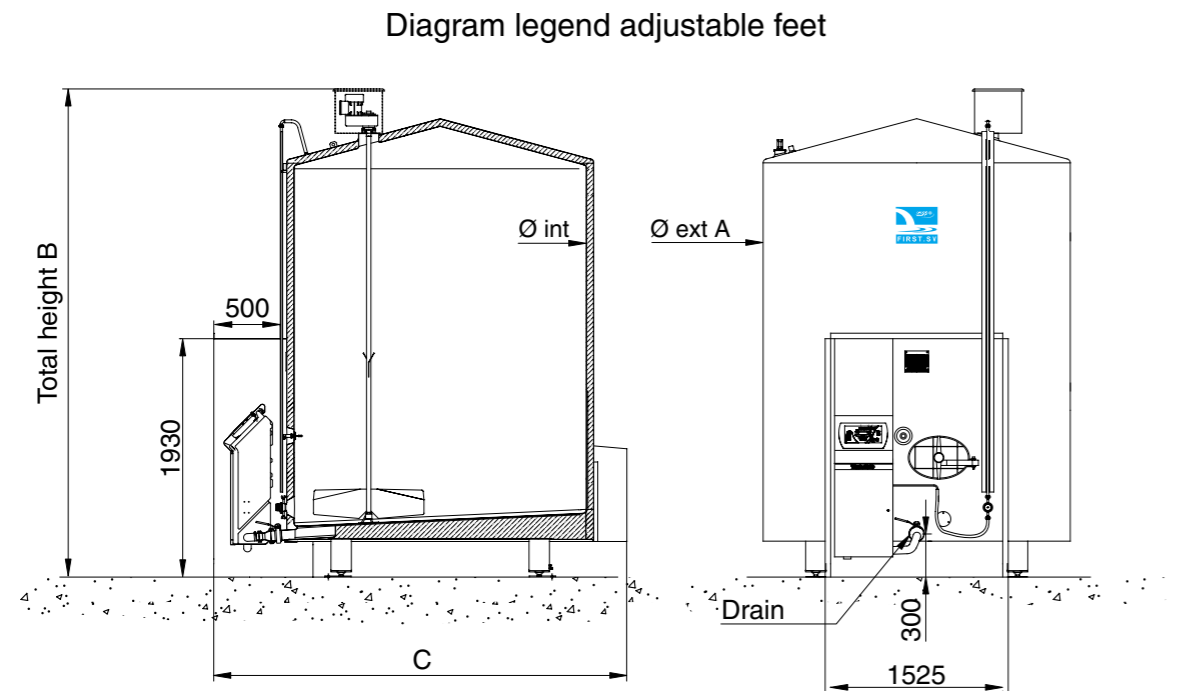
ROUTE DE FOUGÈRES • 53120 GORRON • FRANCE
TÉL. (+33) (0)2 43 08 49 49 • FAX (+33) (0)2 43 08 66 19
serap-industries@groupeserap.com • www.groupeserap.com



WP-1S-A01-1-F ed. 10/10

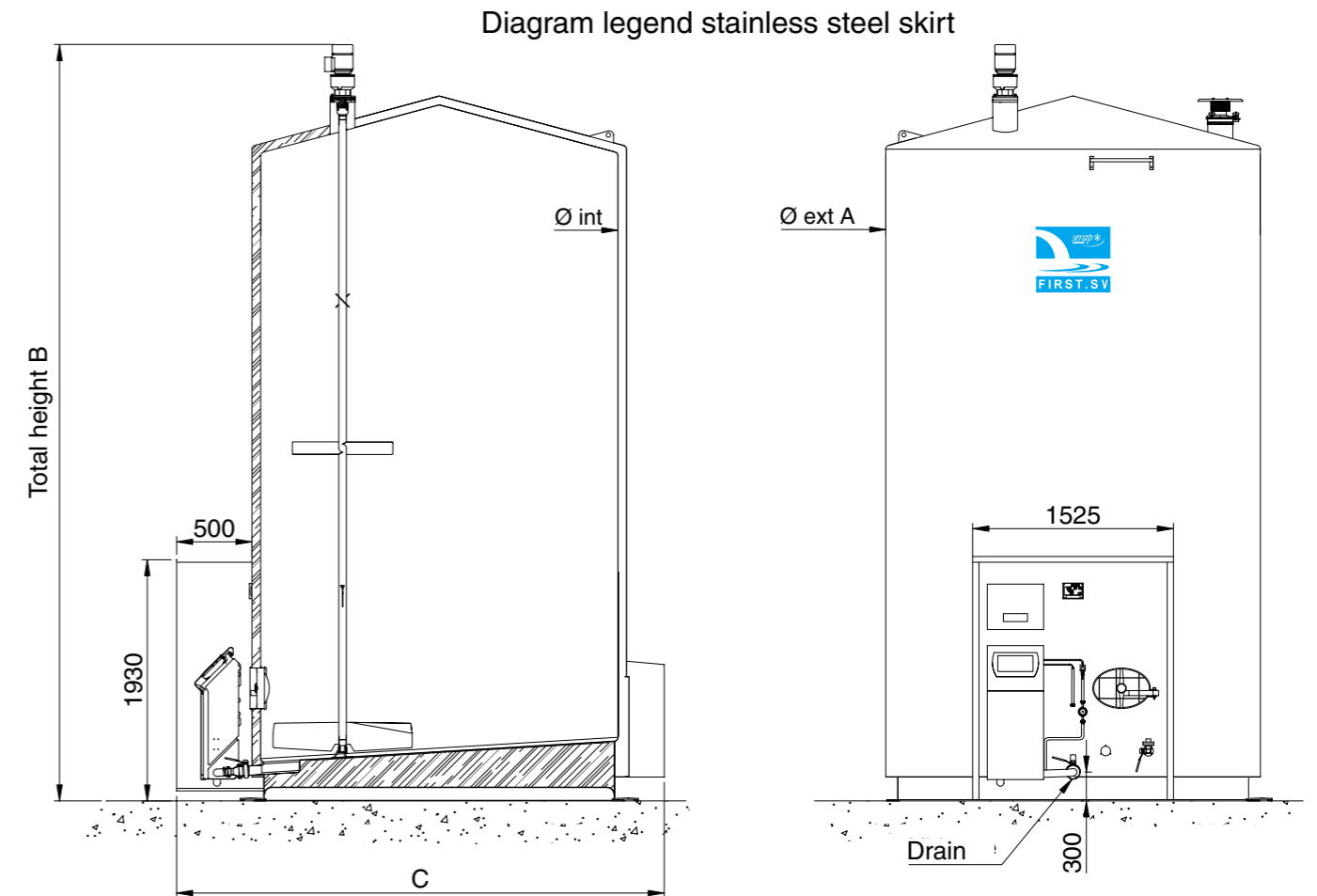
FIRST.SV Silo milk cooler

Capacities from 10,000 to 20,000 Liters (external diameter 2308 mm)



FIRST.SV Silo milk cooler

Capacities from 15,000 to 40,000 Liters (external diameter 2985 mm)



Type	Internal diameter 2195 mm				
	10,000	12,000	15,000	18,000	20,000
DIMENSIONS in mm - WEIGHT in kg - VOLUMES in liters					
Cooled nominal volume in liters	10000	12000	15000	18000	20000
External diameter A	2308	2308	2308	2308	2308
Total height B	3860	4380	5340	6140	6600
Maxi width C	3060	3060	3060	3060	3060
Tank weight (without cooling unit)	1485	1700	1950	2100	2200
Load on ground on feet in kg/cm ² (tank full)	11,37	13,57	8,23	9,74	10,75
Cooling unit specifications 4 milkings to cool milk from 35°C to 4°C in an ambient temperature of 32°C					
Cooling unit	1x7 + 1x7	1x7 + 1x10	1x7 + 2x7	-	-
Power (hp)					
Cooling unit weight	220	330	480	-	-
Cooling unit specifications 4 milkings to cool milk from 23°C to 4°C in an ambient temperature of 32°C					
Cooling unit	1x7 + 1x4	1x7 + 1x4	1x7 + 1x7	1x7 + 1x10	1x7 + 1x10
Power (hp)					
Cooling unit weight	215	220	320	330	330
Cooling unit specifications 6 milkings to cool milk from 35°C to 4°C in an ambient temperature of 32°C					
Cooling unit	1x7 + 1x4	1x7 + 1x5	1x7 + 1x7,5	1x7 + 1x10	1x7 + 1x12,3
Power (hp)					
Cooling unit weight	220	287	320	330	330
Cooling unit specifications 6 milkings to cool milk from 23°C to 4°C in an ambient temperature of 32°C					
Cooling unit	1x7	1x7 + 1x4	1x7 + 1x4	1x7 + 1x5	1x7 + 1x7
Power (hp)					
Cooling unit weight	160	220	220	287	320

Type	Internal diameter 2845 mm						
	15,000	18,000	20,000	25,000	30,000	35,000	40,000
DIMENSIONS in mm - WEIGHT in kg - VOLUMES in liters							
Cooled nominal volume in liters	15000	18000	20000	25000	30000	35000	40000
External diameter A	2985	2985	2985	2985	2985	2985	2985
Total height B	3800	4270	4590	5370	6150	6950	7730
Maxi width C	3740	3740	3740	3740	3740	3740	3740
Tank weight (without cooling unit)	1700	1950	2200	2450	2700	3000	3250
Load on ground on stainless steel skirt in kg/cm ² (tank full)	-	-	-	4	4,7	5,5	5,2
Load on ground on feet in kg/cm ² (tank full)	8	11,9	13,28	-	-	-	-
Cooling unit specifications 4 milkings to cool milk from 23°C to 4°C in an ambient temperature of 32°C							
Cooling unit	1x7,5 + 1x5	1x7,5+1x7,5	1x7,5+1x10	1x7,5+2x7	1x7,5+2x7,5	1x7,5+1x7,5+2x7	1x7,5+3x7,5
Power (hp)							
Cooling unit weight	287	354	354	467	531	644	708
Cooling unit specifications 6 milkings to cool milk from 35°C to 4°C in an ambient temperature of 32°C							
Cooling unit	1x7,5 + 1x7,5	1x7,5 + 1x10	1x7,5 + 1x10	-	-	-	-
Power (hp)							
Cooling unit weight	354	354	330	-	-	-	-
Cooling unit specifications 6 milkings to cool milk from 23°C to 4°C in an ambient temperature of 32°C							
Cooling unit	1x7,5 + 1x4	1x7,5 + 1x4	1x7,5 + 1x4	1x7,5 + 1x7	1x7,5+1x10	1x7,5+1x12,3	1x7,5+2x7,5
Power (hp)							
Cooling unit weight	280	280	280	320	354	370	530